

MG200 Series / Magnetic Drive Micro Gear Pump (DC brushless motor, outside controller)

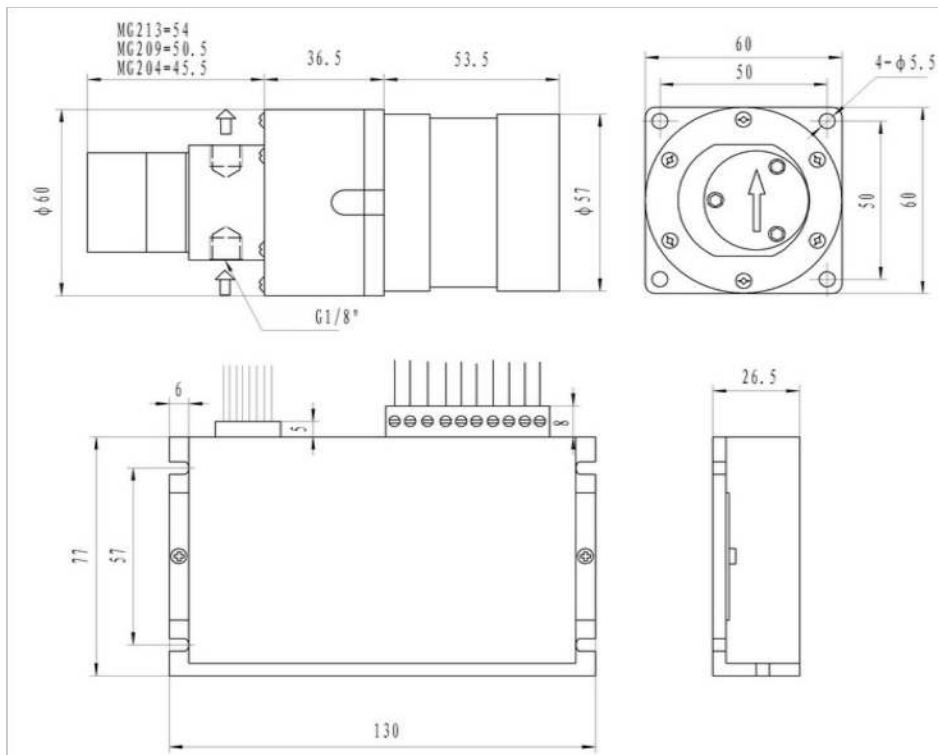
Introduction:

1. Using magnetic coupling drive without leakage, 316 L stainless steel shell, PEEK materials gear, PTFE sealing materials, use brushless DC motor combination with smaller size, can with built-in limit pressure valve, the flow rate can be realized adjustment without steps.
2. Pump can be used in the -0.1 Mpa~2Mpa closed systems, the rated output pressure is 0.5 Mpa (medium: water), the maximum output pressure is 1.4 Mpa , output flow rate with 50~3500 ml / min.
3. Widely used in hemodialysis machines, printing machine, pictorial machine, medicine, chemicals, water treatment, printing, cleaning, packaging, filling machines, food processing, and other areas of liquid delivery, particularly suitable for printing machine, pictorial machine, barcode machine.



Normal Parameters:

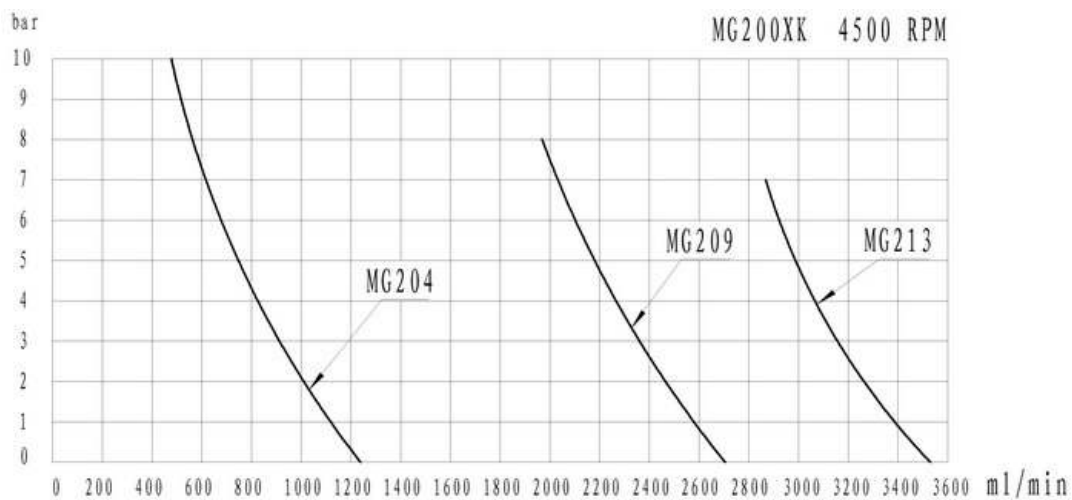
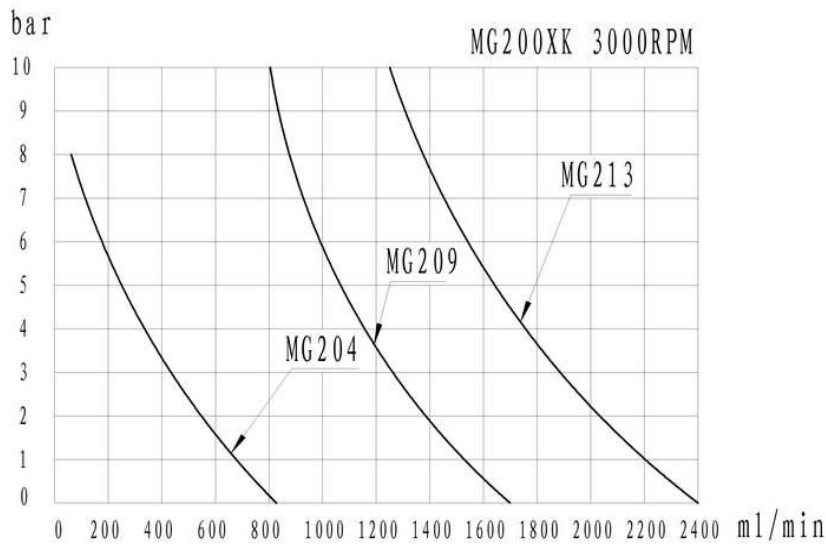
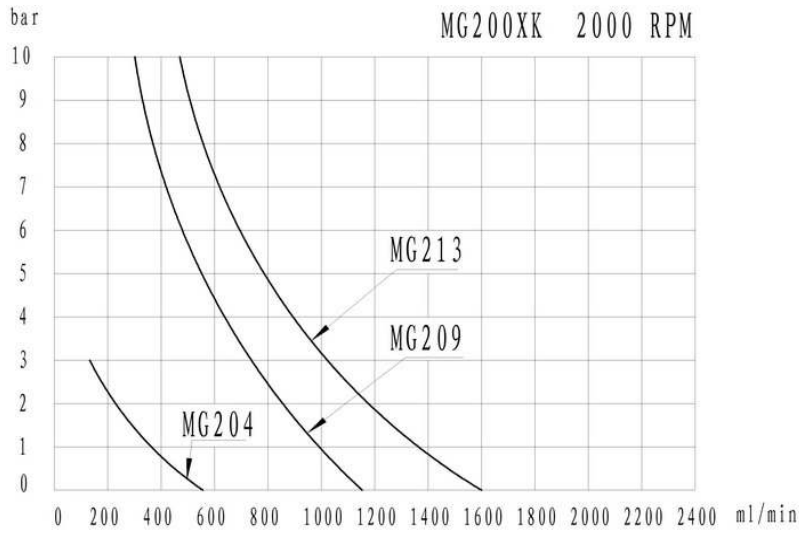
1. Altitude: ≤ 2500 M
2. Humidity environment: $\leq 85\%$
3. Fluid viscosity: 0 ~ 3000 CPS
4. Ambient temperature: -10 ~ 50 °C
5. Fluid temperature:
-10 °C $\leq T \leq 100$ °C (except for the freezing)
6. Working way: continuous working
7. Apply the media of:
acid and alkali, salt, organic solvents, oils.
8. Lifetime above 8000hours



Model	Max Head Pressure (Bar)	Max Flow scope (ml/Min)	Power (W)	Voltage (V)	Inlet/Outlet Diameter	ml/rpm (reference 3000RPM)
MG204XK/DC24W	7	80-1000	60W	DC24	G1/8"	0.27
MG209XK/DC24W	7	150-2500	60W	DC24	G1/8"	0.65
MG213XK/DC24W	7	300-3500	60W	DC24	G1/8"	0.75

- Note:**
1. "04" means the gear with the height of 4mm, "09" means 9mm, "13" means 13mm .
 2. if needed : "L" limited pressure valve, " R " non return valve , please specially specify in advance.
 3. "XK" PEEK gear, "YT" Alloy gear, if the liquid contain rigid particles, such as pigment ink, recommend use YT gear.
 4. strong acid and alkali "PK" type: all liquid contacts part made by non-metallic anticorrosive materials

Detail Curve / DC MG200 Series



Note: Usually suggested to work under 4000RPM, not higher than this.
Above test result basis on the medium of water.