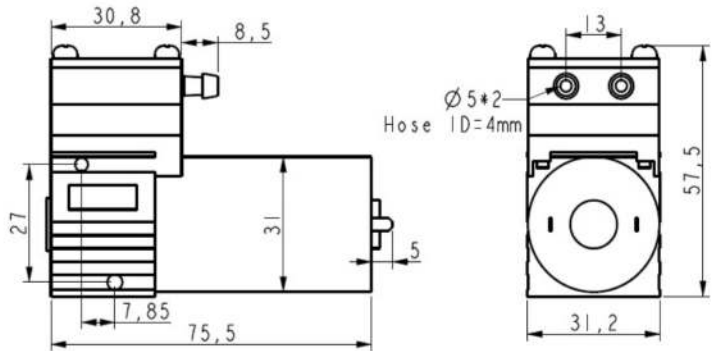


# F30A Series

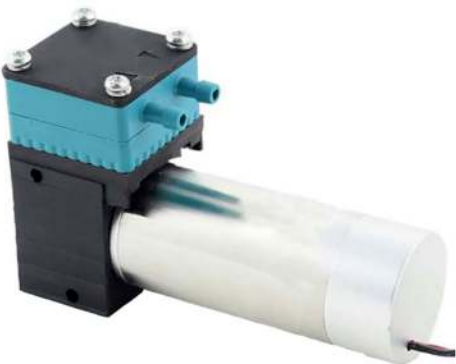
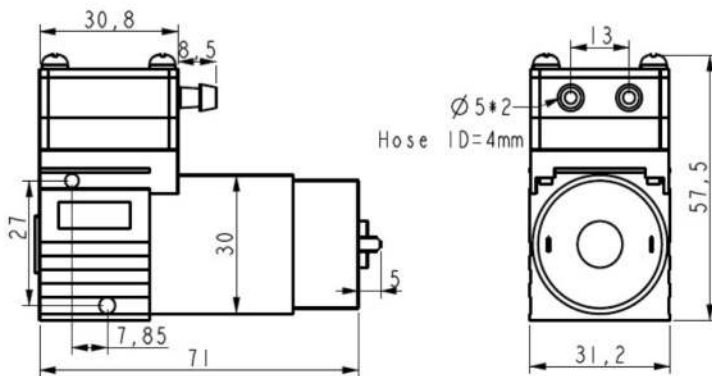
## High Performance Membrane Pump



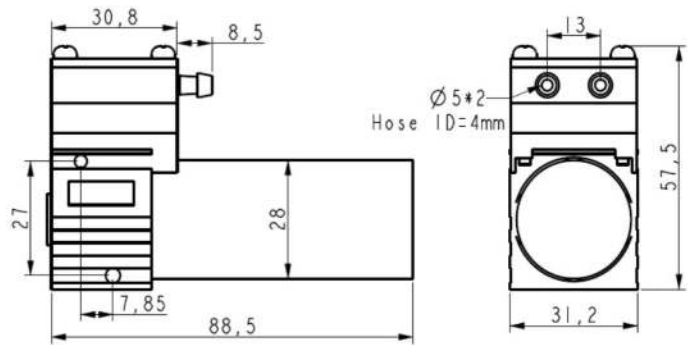
F30A-A



F30A-B



F30A-C: internal controller type



F30A-D: external controller type

