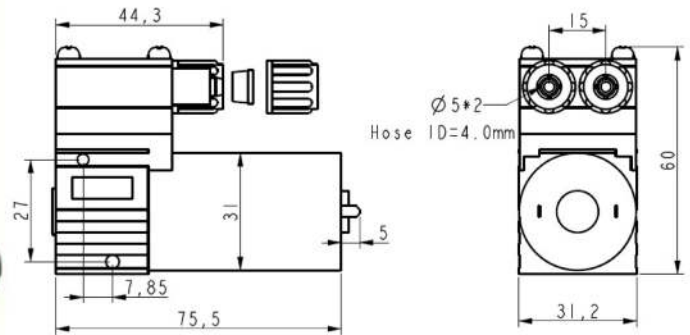


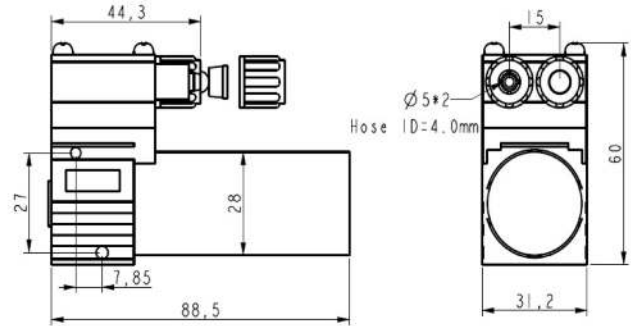
High Performance Membrane Pump



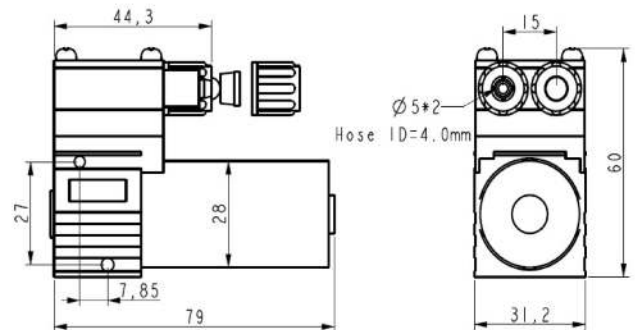
F30B Series



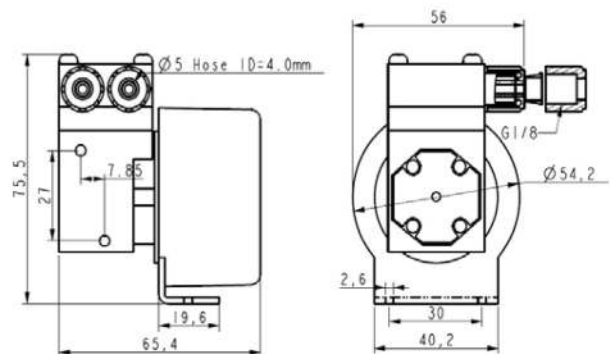
F30B-A



F30B-C: internal controller type



F30B-D: external controller type



F30B-H

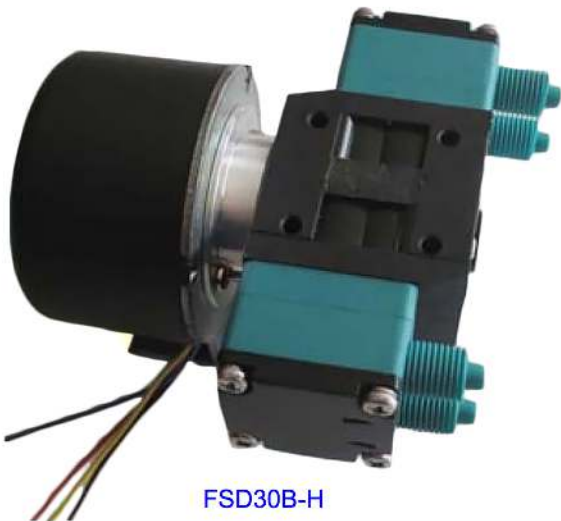
High Performance Membrane Pump



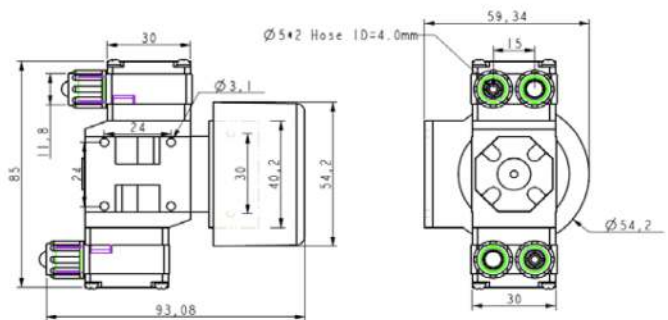
FD30B-A



FSD30B-A



FSD30B-H



High Performance Membrane Pump



F30B Series

Specification Sheet

Model	Liquid Pump (Item Number)	Rated Voltage (Vdc)	No-load Current (A)	Max Head (M)	Max Vacuum (KPa)	Max Water Flow (L/min)
F30B-A	F30B-A12-W1003	6 /12 / 24	0.4/0.24/0.15	≥10	-65	0.35
F30B-C	F30B-C12-W1003	6 /12 / 24	0.4/0.24/0.15	≥10	-65	0.35
F30B-D	F30B-D12-W1003	6 /12 / 24	0.4/0.24/0.15	≥10	-65	0.35
F30B-H	F30B-H12-W1003	12 / 24	0.24/0.15	≥10	-60	0.35
FD30B-A	FD30B-A12-W152	12 / 24	0.32/0.18	≥15	-50	0.85 in single 1.65 in double
FSD30B-A	FSD30B-A12-W152	12 / 24	0.3/0/17	≥15	-50	0.85 in single 1.65 in double
FSD30B-H	FSD30B-H12-W121 (for ceramic ink)	12 / 24	0.4/0.2	≥12	-25	0.5 in single 1 in double

Note: F30B-H / FSD30B-H wires connection way

1. use 0-5V speed control: red"+", black "-"; yellow "+", green "-" of 5V power supply
2. no need 0-5V speed control: red+yellow "+", black "-", white useless

Type	Weight(g)	Material			Motor Type	No-load lifetime(H)
		pump head	membrane	valve		
A	220g	Nylon	EPDM/PTFE	EPDM/FPM	brush	3000
C	250g	Nylon	EPDM/PTFE	EPDM/FPM	coreless brushless	15000
D	260g	Nylon	EPDM/PTFE	EPDM/FPM	coreless brushless	15000
H	350g	Nylon	EPDM/PTFE	EPDM/FPM	core brushless	10000
D-A	400g	Nylon	EPDM/PTFE	EPDM/FPM	brush	3000
SD-A	400g	Nylon	EPDM/PTFE	EPDM/FPM	brush	3000
SD-H	400g	Nylon	EPDM/PTFE	EPDM/FPM	core brushless	10000