

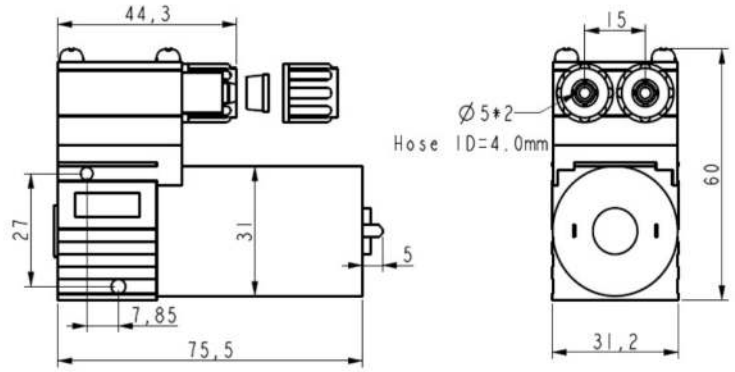
High Performance Membrane Pump



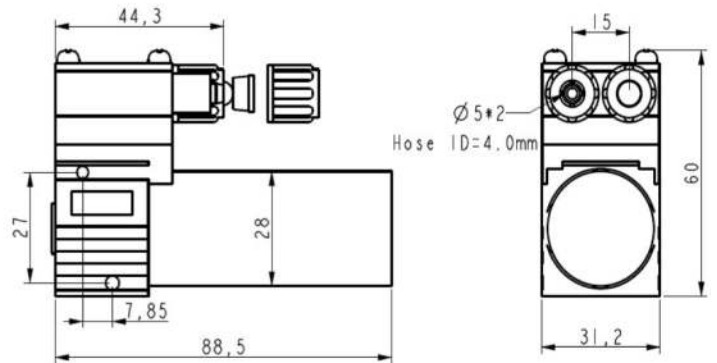
F30D Series



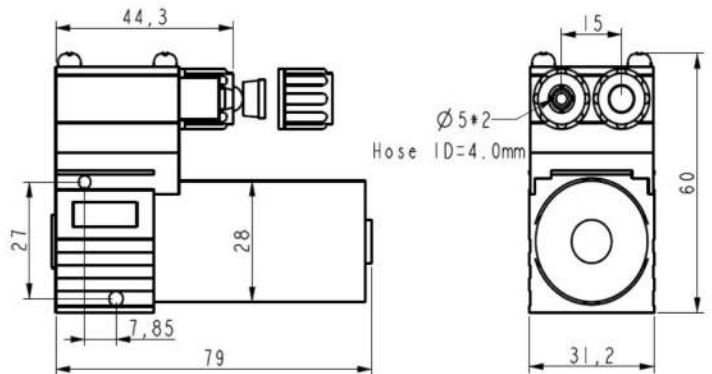
F30D-A



F30D-C: internal controller type



F30D-D: external controller type



Specification Sheet

Model	Liquid Pump (Item Number)	Rated Voltage (Vdc)	No-load Current (A)	Max Head (M)	Max Vacuum (KPa)	Max Water Flow (L/min)
F30D-A	F30D-A12-W101	6 / 12 / 24	0.4/0.24/0.15	≥ 10	-55	0.8
F30D-C	F30D-C12-W101	6 / 12 / 24	0.4/0.24/0.15	≥ 10	-55	0.8
F30D-D	F30D-D12-W101	6 / 12 / 24	0.4/0.24/0.15	≥ 10	-55	0.8

Type	Weight(g)	Material			Motor Type	No-load lifetime(H)
		pump head	membrane	valve		
A	220g	Nylon	EPDM/PTFE	EPDM/FPM	brush	3000
C	250g	Nylon	EPDM/PTFE	EPDM/FPM	coreless brushless	15000
D	260g	Nylon	EPDM/PTFE	EPDM/FPM	coreless brushless	15000