

B10

Micro DC Brushless Pump

Typical Applications

- Water Dispenser, Water Cooler
- Vending Machine
- Auto Air-conditioning System
- Chiller, Cooling Circulation System
- 3D Laser Printer Cooling
- Battery cooling system
- Air-conditioner Drainage
- Floor Scrubber
- Home appliance



Pump A

High Efficiency,
Widely Used



Pump B

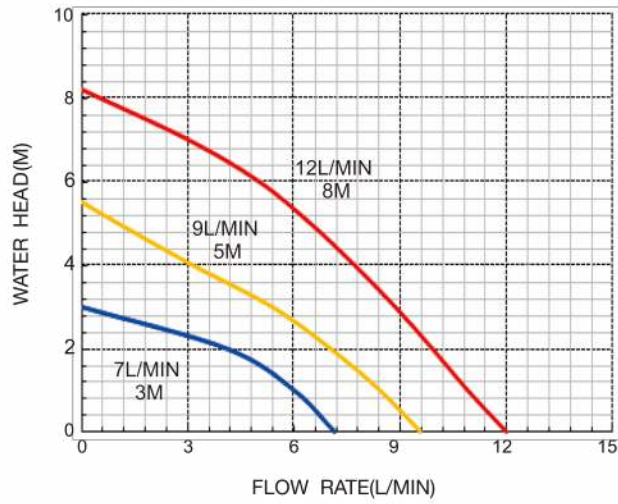
Specification

Model	Product Code	Max Flow Rate (L/Min)	Max Water Head (M)	Voltage (VDC)	Current (A)	Power (W)
B10-A	B10-A12-0703	7	3	12	0.6	7
	B10-A12-0905	9	5	12	1.4	16.8
	B10-A24-0703	7	3	24	0.35	10
	B10-A24-0905	9	5	24	0.55	15
	B10-A24-1208	12	8	24	1.3	31.2
B10-B	B10-B12-0703	7	3	12	0.6	7
	B10-B12-0905	9	5	12	1.4	16.8
	B10-B24-0703	7	3	24	0.35	10
	B10-B24-0905	9	5	24	0.55	15
	B10-B24-1208	12	8	24	1.3	31.2

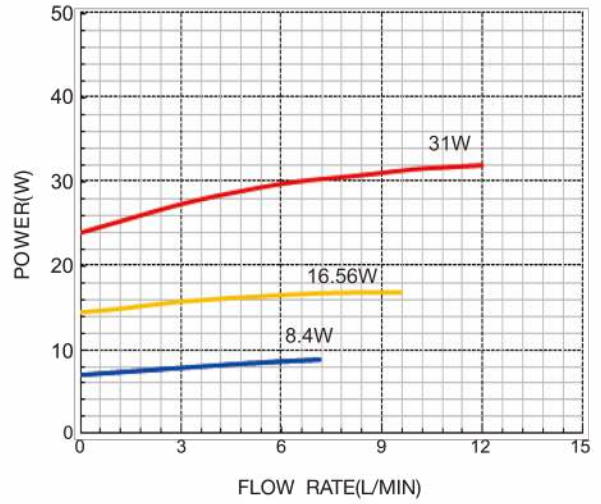
Customization: 1. /H High temperature 100 °C (212°F) 2. /S Submersible, liquid ≤50°C 3. /FG (RPM) signal wire 4. /PV Powered by solar panel directly 5. /PWM or /5V speed control

Curve

B10 Performance

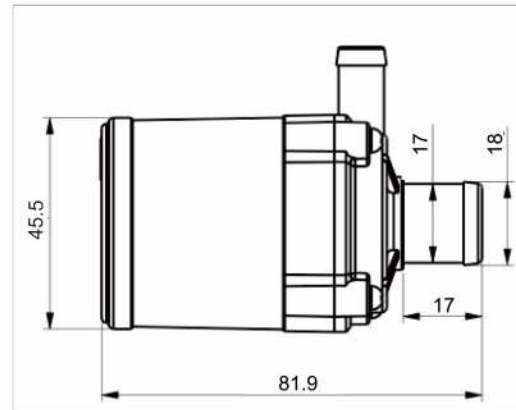
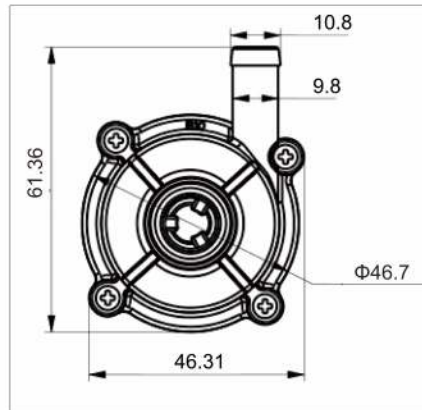


B10 P~Q



Dimension (mm)

Pump A



Pump B

